



*for your access*

Gate barrier

**AXgate PERFORMANCE**

→ | max. 8,5m | ←



**Lane width up to 8.5 m**

especially suitable for:

**Access to company premises**

**Access to forwarding agencies**

**Port access**

**Multi-lane roads**

**HIGHLY RELIABLE**

The BG Drives **AXgate PERFORMANCE** barrier has been designed based on state-of-the-art technology for countless daily operations up to 5 Million cycles.

**SAFE**

As all BG Drives barriers also the **AXGate PERFORMANCE** barrier was designed according to the new European safety standard and the Machinery Directive 2006/42/EC.

**DRIVE TECHNOLOGY**

The state-of-the-art drive system using a brushless servo drive motor combined with a high torque gear box stands for a robust design with highest quality.

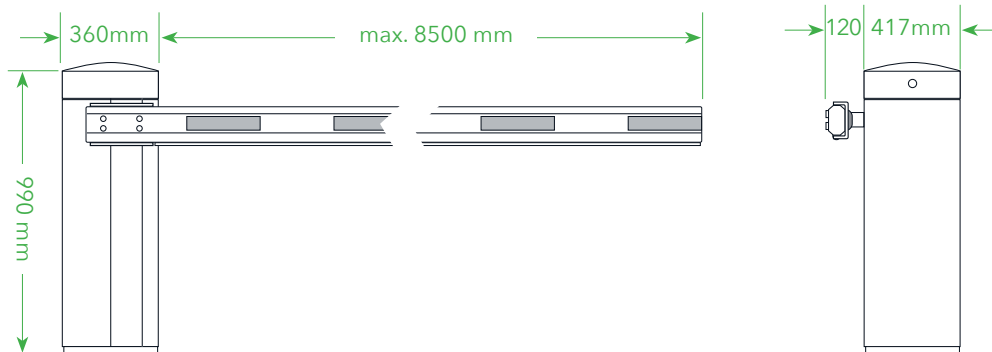


for your access

## Technical Data

### AXgate Performance P6000

barriers with an actuation time of 6.0 s for lane widths up to 8.5 m



#### Technical data

#### AXgate Performance P6000

Lane width	up to 8,5 m
Actuation time	6 s / 9 s / 12 s
Power consumption	max. 25 W
Power supply	100 - 240 V AC; 50-60Hz
Ingress protection	IP 54
Temperature range	-30 bis +55 °C
Dimensions (WxDxH)	360 x 417 x 990 mm small footprint!
Drive unit	BG ServoDrive
Drive voltage	Protective low voltage 24 V DC

(All data is provided to the best of our knowledge and awareness and is subject to error and amendment.)

### AXgate PERFORMANCE

#### Specifications

- Standard colors:  
Housing: RAL 9006 ,  
Top cover: RAL 9007
- Customized colors on request
- Multifunctional control unit:  
GC1-500A
- Configuration tool for PC



- 2-channel loop detector
- Inputs: 8 × digital
- Outputs:  
6 × semiconductor outputs  
6 × relay outputs
- The functions of the inputs and outputs can be assigned at will.
- Interfaces (on printed circuit board):
  - Ethernet
  - RS-232
  - CAN

#### Scope of supply

The barriers are supplied complete with all functions and the integrated 2-channel loop detector included.



for your access

## Optional accessories

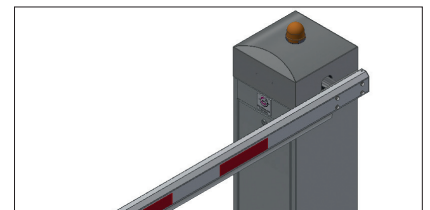
This premium barrier is also suitable for various options, like boom skirts, etc.

This barrier can also be used, if pedestrian traffic cannot be prevented. It complies to the European standard EN13849.

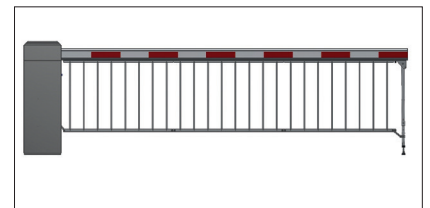
### AXgate PERFORMANCE



Support post, Pendulum support



Warning light (on top cover)



Boom skirt



Control columns

#### optional Accessories

#### AXgate Performance P6000

Pendulum support	●
Support post	●
Boom locking set	●
LED boom lights, red	●
LED light strips, red / green	●
Boom drop contact	●
Warning light (on top cover)	●
Key switch & firefighters' switch	●
Boom skirt	●
1-channel loop detector, external	●
2-channel loop detector, external	●
Hot air blower set, incl. thermostat	●
Additional mounting plate	●
Control columns	●





*for your access*

## Development and manufacture: Made in Germany

BG Drives in Germany develops and manufactures high quality systems for the efficient, economical and fast control of access by persons and vehicles.

Our team has been engaged for over 25 years in the production of access control systems for pedestrians and road vehicles. The area of barrier and gate drive units and their control circuitry represents a particular core competence of our specialists.

Our products are designed and manufactured for use on demanding duties in continuous operation with heavy pedestrian and vehicle traffic. All our systems have been developed to provide a long service life with minimized power consumption.

**We gladly offer our support and services worldwide in planning and implementing your access control projects. Your needs become our challenge—why not give us a call?**

## Barriers & pedestrian gates

Efficiently controlled access

### BG Drives GmbH

Belchenstraße 63  
79650 Schopfheim

T +49 7622 684548-0  
F +49 7622 684548-9  
info@bg-drives.com  
www.bg-drives.com